

► **Code Number**
1101009T

► **Description**
Vitreous china washdown urinal. Carbon Neutral Product.

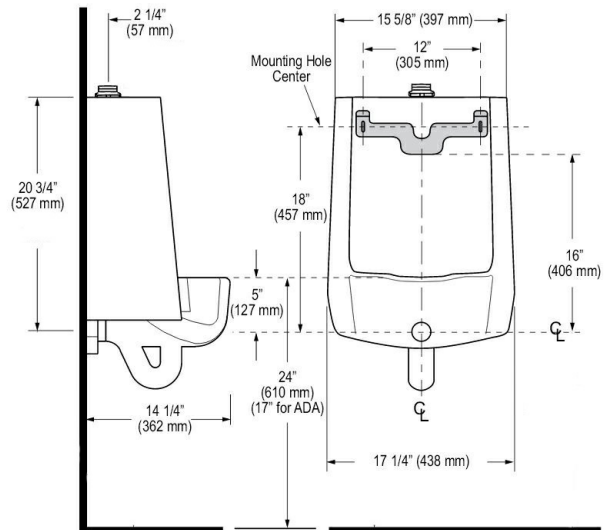
► **Flush Cycle**
0.125 to 0.5 gpf/0.5 to 1.9 Lpf
Flush volume is determined by the flushometer used with fixture

- **Fixture Specifications**
- White Vitreous China
 - Includes purchase of forestry carbon credits from the Arbor Day Foundation to offset embedded carbon.
 - 3/4" I.P.S. top spud inlet
 - 2" NPT outlet flange
 - All mounting hardware included
 - Integral flushing rim
 - Vandal resistant strainer assembly included
 - 100% factory flush tested
 - Washdown flushing action

- **Plumbing System Requirements**
- Minimum Flow Rate: 18 GPM
 - Maximum Static Pressure: 80 PSI
 - Minimum Flowing Pressure: 25 PSI

- **Product Specification**
- Washdown urinal shall be made of vitreous china with a 3/4" top spud. Urinal shall have a 2" NPT outlet flange. Urinal shall include a removable strainer, inlet spud and hanger. Urinal shall be Sloan Model SU-1009 CO.

- **Notes**
- The precise amount of embedded carbon for this product was calculated and third party verified through Sloan's Environmental Product Declaration which conforms to ISO 14025, 14040, 14044 and 21930.
 - This model is fully interchangeable with Models SU-1000, SU-1002 & SU-1005 and matches all dimensional and performance parameters.
 - All information contained in this document subject to change without written notice
 - NOTE: All vitreous china dimensions shown in these drawings are nominal and not to scale. Dimensions can vary within the tolerances established in the governing ASME A112.19/CSA B45.1 standard. It is important to consider this when planning rough-in and plumbing layouts.



► **Compliance & Certifications**



This space for Architect/Engineer Approval