

### Features

- Showerarm with diverter switches water between showerhead and handshower.
- Coordinates with MasterShower showerheads and handshowers.
- KOHLER finishes resist corrosion and tarnishing.

### Material

- Brass construction.

### Recommended Products/Accessories

K-10827-4 Essentials Performance Showering Package



### Codes/Standards

ASME A112.18.1/CSA B125.1

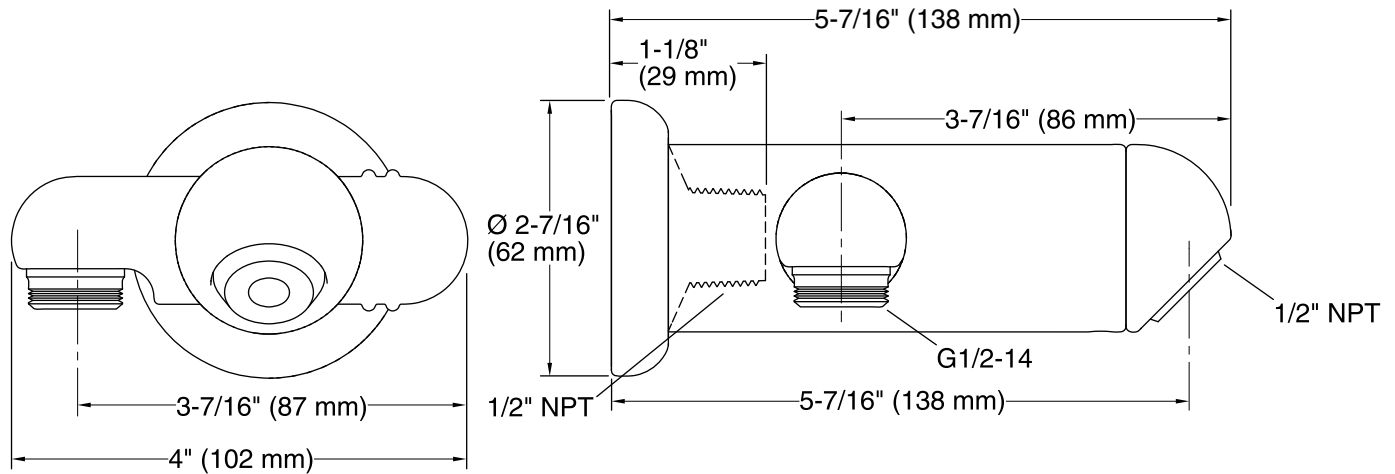
### KOHLER® Faucet Lifetime Limited Warranty

See website for detailed warranty information.

### Available Colors/Finishes

*Color tiles intended for reference only.*

Color	Code	Description
	CP	Polished Chrome
	SN	Vibrant® Polished Nickel
	0	White



**Technical Information**

All product dimensions are nominal.

**Notes**

Install this product according to the installation guide.