

Features

- Comfort Depth® design offers a convenient and low step-over height while retaining the depth of a standard 21-inch bath.
- Integral grip rail blends into the bath's design.
- Slotted overflow allows for deep soaking.
- Safeguard® slip-resistant surface on bath floor.
- Optional wood seat/tray table.

Material

- KOHLER® enameled cast iron.

Installation

- Drop-in

Required Products/Accessories

K-7271 Brass Slotted Overflow Bath Drain

or

K-7272 PVC Slotted Overflow Bath Drain

Recommended Products/Accessories

K-1172 Adjustable feet

K-1844 Wood Bath Seat

K-952 Wall-mount Non-diverter Bath Spout

K-1491 Bath/Whirlpool Pillow

K-1601 Bath/Whirlpool Footstop

K-8360 Deck-Mount Bath Filler

K-T10059-9 Bath Faucet Trim

K-T14428-3 Bath Faucet Trim

K-T14428-4 Bath Faucet Trim

K-T16237-3 Bath Faucet Trim

K-T16237-4 Bath Faucet Trim



ADA

Codes/Standards

ASME A112.19.1/CSA B45.2

ASTM F462

ADA

ICC/ANSI A117.1

KOHLER® Enameled Cast Iron Bath and Shower Base Lifetime Limited Warranty

See website for detailed warranty information.

Available Colors/Finishes

Color tiles intended for reference only.

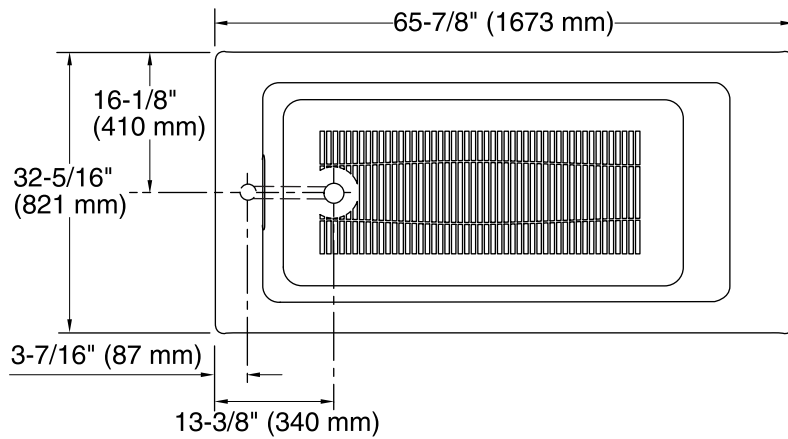
Color	Code	Description
-------	------	-------------



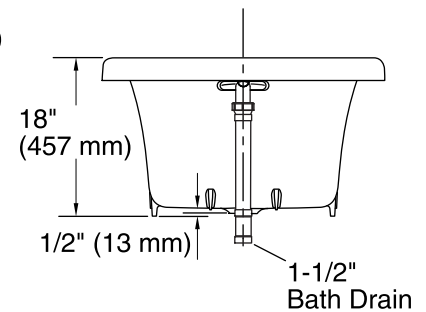
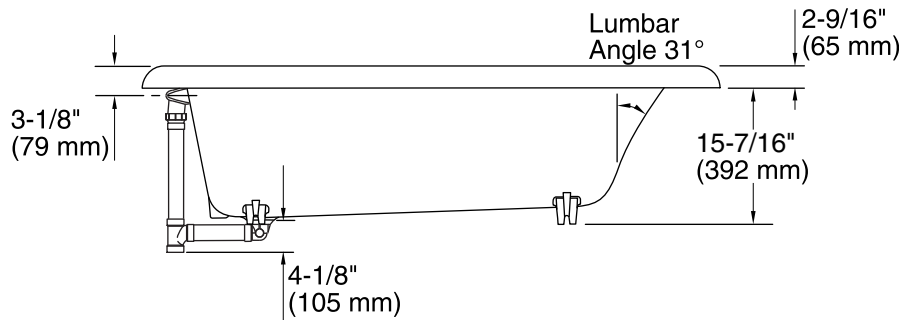
0 White



96 Biscuit



No change in measurements if connected with drain illustrated. (K-7271 or K-7272)



Technical Information

All product dimensions are nominal.

Installation:	Drop-in
Drain location:	End
Basin area, bottom:	45-3/4" x 21-3/8" (1162 mm x 543 mm)
Basin area, top:	53-7/8" x 25-1/8" (1368 mm x 638 mm)
Weight:	360 lbs (163.3 kg)
Minimum floor load:	61 lbs/ft ² (297.8 kg/m ²)
Water depth:	13-7/8" (352 mm)
Water capacity:	61 gal (230.9 L)
Cutout:	Drop-in, 64-3/8" x 27-5/16" (1635 mm x 694 mm)

Notes

Measure your actual product for rough-in details. Install this product according to the installation instructions.

The hot water supply should be 70% of the capacity of the bath or greater. Installations will vary.

ADA compliant when installed to the specific requirements of these regulations.