

Features

- Quarter-turn washerless ceramic disc valves.
- Pop-up drain with lift rod and tailpiece.
- Standard aerator.
- Standard handle.
- 5" (127 mm) spout reach.
- 2.0 gpm (7.6 lpm) maximum flow rate at 60 psi (4.14 bar).

Material

- Brass valve bodies.
- Brass construction.

Recommended Products/Accessories

- K-23726 Drain treatment
- K-23723 Faucet cleaner



Codes/Standards

ASME A112.18.1/CSA B125.1
NSF/ANSI 61
NSF/ANSI 372
All applicable US Federal and State material regulations
DOE - Energy Policy Act 1992

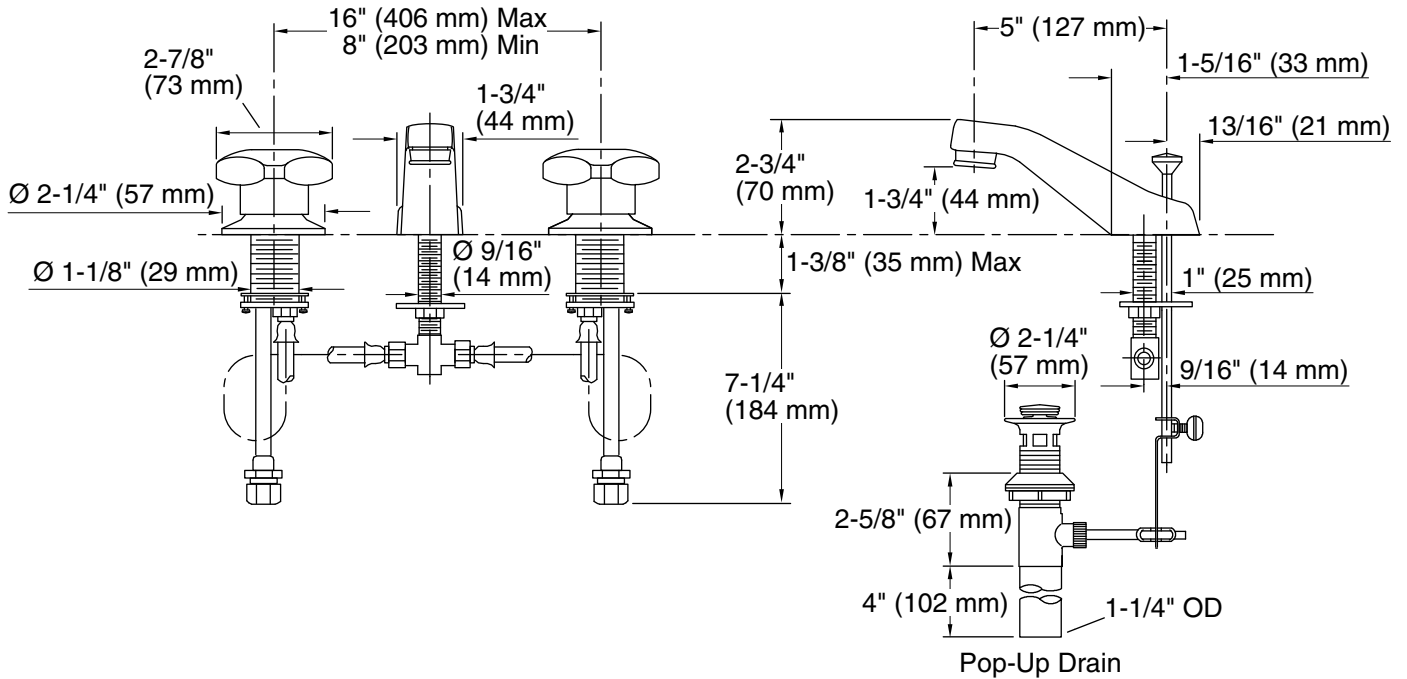
KOHLER® Faucet Lifetime Limited Warranty

See website for detailed warranty information.

Available Colors/Finishes

Color tiles intended for reference only.

Color	Code	Description
	CP	Polished Chrome



Technical Information

All product dimensions are nominal.

Faucet:

Flow rate: 2 gal/min (7.6 l/min)

Pressure: 60 psi (4.1 bar)

Drain included: Yes

Spout:

Spout reach: 5" (127 mm)

Notes

Install this product according to the installation guide.