



Elate™ Tall

Sliding shower door, 75-1/2" H x 68-1/4 - 71-5/8"
W
K-707617-8G80

Features

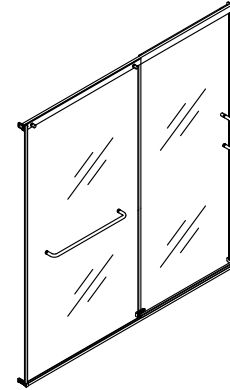
- Frameless design emphasizes glass and creates a sleek, minimalist look.
- Vertical handle with inside knob on moving panel.
- Gently-curved towel bar provides integrated storage on fixed panel.
- Tempered glass ensures maximum safety and durability.
- CleanCoat®+ glass coating creates a hydrophobic barrier that repels water, soap scum, and residue, saving time and protecting shower doors 10 times longer than original CleanCoat. (Based on 2021 internal wear/abrasion testing using a microfiber cloth.)
- Smooth, easy-to-clean wall jambs.
- Full-length moving panel seal provides excellent water containment.
- Coordinates with other items in the Elate collection.
- Shower door configuration consists of one sliding panel and one stationary panel.

Material

- Frameless, heavy 5/16" (8 mm) thick Frosted tempered glass with easy-to-clean rectangular grille design imprinted on surface.
- Anodized aluminum prevents rust and corrosion.

Installation

- Fits opening widths 68-1/4" - 71-5/8" (1734 - 1819 mm).
- 75-1/2" (1918 mm) tall, with a lofty 72-11/16" (1846 mm) minimum head clearance.
- 3-3/8" (86 mm) width adjustment.
- Out-of-plumb adjustability simplifies installation.
- Door can be installed to open to the left or right to suit your bathroom layout.
- For residential use only.
- Not for use in hospitality.



Codes/Standards

ANSI Z97.1
CPSC 16CFR 1201

KOHLER® One-Year Limited Warranty

See website for detailed warranty information.

Available Colors/Finishes

Color tiles intended for reference only.

Color	Code	Description
-------	------	-------------

	BL	Matte Black
---	----	-------------

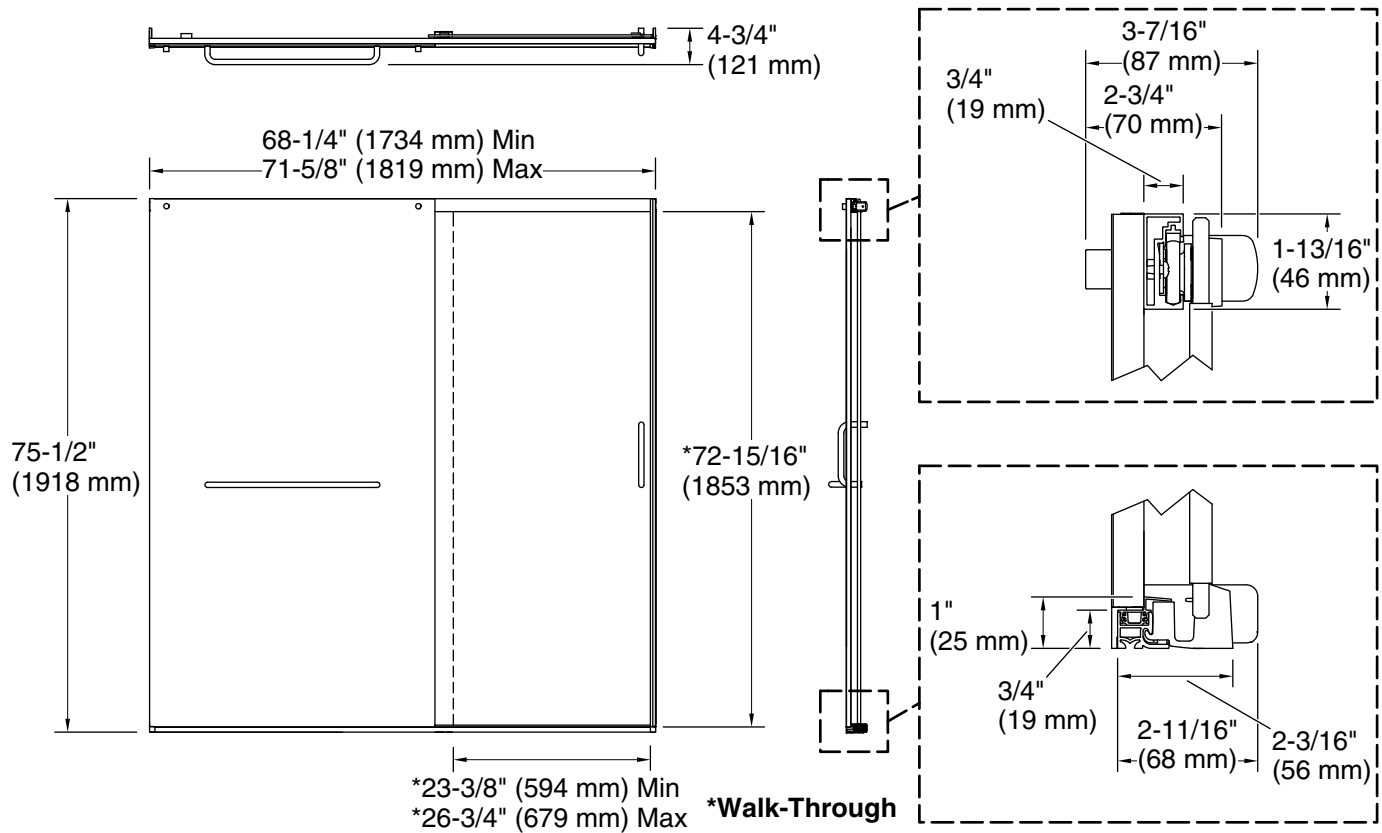
Available Glass Options

Code	Description
------	-------------

G80	Frosted with Rectangular Grille Pattern
-----	---



Elate™ Tall
 Sliding shower door, 75-1/2" H x 68-1/4 - 71-5/8"
 W
K-707617-8G80



Technical Information

All product dimensions are nominal.

- Installation type: For shower base installation
- Opening Width - Min: 68-1/4" (1734 mm)
- Opening Width - Max: 71-5/8" (1819 mm)
- Walk-through - Min: 23-3/8" (594 mm)
- Walk-through - Max: 26-3/4" (679 mm)
- Base-To-Wall Radius - Max: 1/2" (13 mm)
- Glass thickness: 5/16" (8 mm)
- Glass coating: CleanCoat®

Notes

Install this product according to the installation instructions.

The vertical opening should be a minimum of 78-13/16" (2002 mm) to allow for installation clearance.