



Avoir™ Comfort Height®

One-piece elongated 1.28 gpf chair height toilet
K-46006

Features

- One-piece toilets integrate the tank and bowl into a seamless, easy-to-clean design.
- Compact elongated bowl offers added comfort while occupying the same space as a round-front bowl.
- Comfort Height® feature offers chair-height seating that makes sitting down and standing up easier for most adults.
- 1.28 gpf (4.8 lpf).
- 12" x 9-1/2" (305 mm x 241 mm) water surface.
- Concealed trapway facilitates easy cleaning and enhances design.

Material

- Vitreous china.

Installation

- Floor-mount.
- Standard 12" (305 mm) rough-in.



Codes/Standards

ASME A112.19.2/CSA B45.1
DOE - Energy Policy Act 1992
EPA WaterSense®
California Energy Commission (CEC)

KOHLER® One-Year Limited Warranty

See website for detailed warranty information.

Available Colors/Finishes

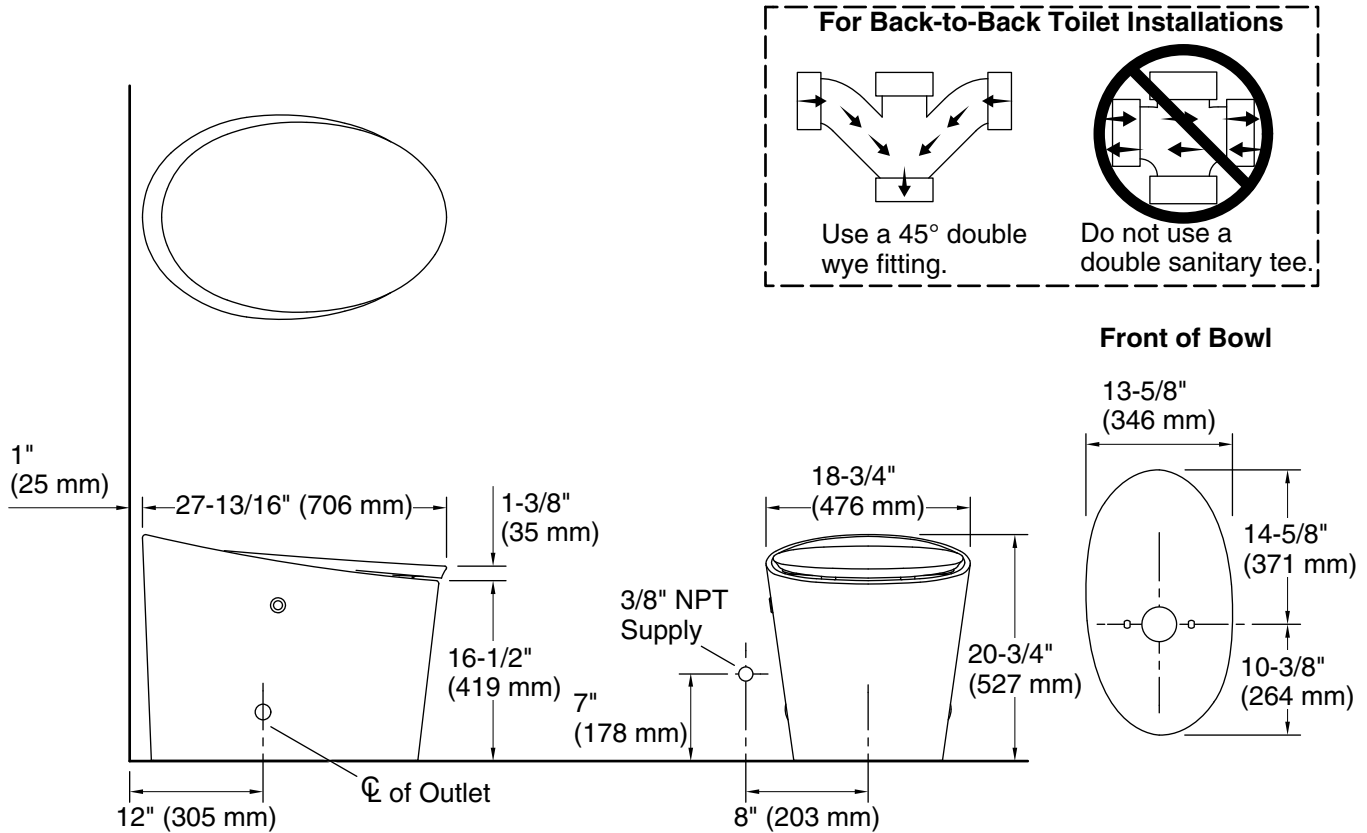
Color tiles intended for reference only.

Color	Code	Description
-------	------	-------------

	0	White
	NY	Dune



Avoir™ Comfort Height®
 One-piece elongated 1.28 gpf chair height toilet
K-46006



Technical Information

All product dimensions are nominal.

- Toilet type: Floor-mount
- Waste Outlet: Floor
- Bowl shape: Elongated
- Flush type: Pressure Assisted
- Trap passageway: 1-15/16" (49 mm)
- Water Consumption
 - Full: 1.28 gpf (4.8 lpf)
- Water surface size: 11-1/2" x 10-3/16" (293 mm x 258 mm)
- Rim to water surface: 5-1/4" (134 mm)
- Rough-in: 12" (305 mm)

Fixture Supply Requirements

- Min static pressure: 50 psi (344.7 kPa)
- Max static pressure: 80 psi (551.6 kPa)
- Min flow rate: 6.5 gpm (24.6 lpm)

Notes

- Install this product according to the installation instructions.
- For back-to-back toilet installations: Use only a 45° double wye fitting.