

### Features

- The double-domed metal shade features a cage detail at the connection.
- A statement piece at 18" (457 mm) wide, this pendant is perfect for any farmhouse- or industrial-style space.
- Medium base (E26) socket, works best with type A or G light bulbs (sold separately).
- Suitable for damp locations, per UL 1598.

### Material

- Manufactured with quality materials and complemented with a meticulous finishing process.
- Durable finishes engineered to last and designed to coordinate with KOHLER faucet finishes.



### Codes/Standards

UL 1598  
CSA C22.2 No. 250.0

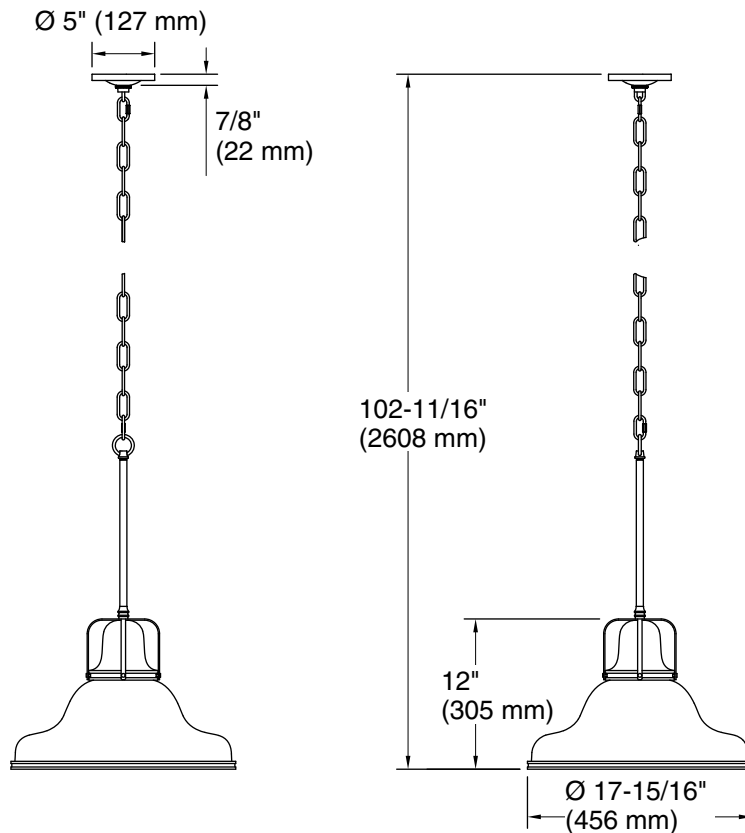
### KOHLER® Indoor Lighting Fixtures Limited Warranty

See website for detailed warranty information.

### Available Colors/Finishes

*Color tiles intended for reference only.*

| Color   | Code | Description        |
|---|------|--------------------|
|  | CPL  | Polished Chrome    |
|  | BML  | Black, Brass Trim  |
|  | WCL  | White, Chrome Trim |
|  | WGL  | White, Gold Trim   |



### Required Electrical Service

One circuit required.

Lights: 120 V, 12 A, 60 Hz

### Technical Information

All product dimensions are nominal.

Material: Steel, Aluminum

Number of Lights: 3

Lighting Type: Socket-based

Socket Type: E-26 Medium

Number of Shades: 1

Shade Type: Metal

Hanging Type: Chain

Height: 30-5/16" (770 mm) -  
99-9/16" (2529 mm)

Electrical component Socket Rating: 60 Hz, 60 W  
rating: