



Undertone®

Under-Mount Kitchen Sink

K-3166-L

Features

- 45-inch minimum base cabinet width.
- Double equal bowls with center disposal bowl.
- 7-1/2-inch left depth, 5-1/2-inch center depth, and 9-1/2-inch right depth.
- No faucet holes.
- SilentShield® sound-absorption technology offers quieter performance.
- Includes installation hardware.

Material

- 18-gauge stainless steel.

Installation

- Under-mount

Recommended Products/Accessories

- K-8801 Sink Strainer
- K-8799 Sink Strainer

Optional Products/Accessories

- K-3278 Cutting Board
- K-3291 Colander
- K-6139 Sponge Caddy

Included Components

Product consists of:

- 91915 Hardware Kit

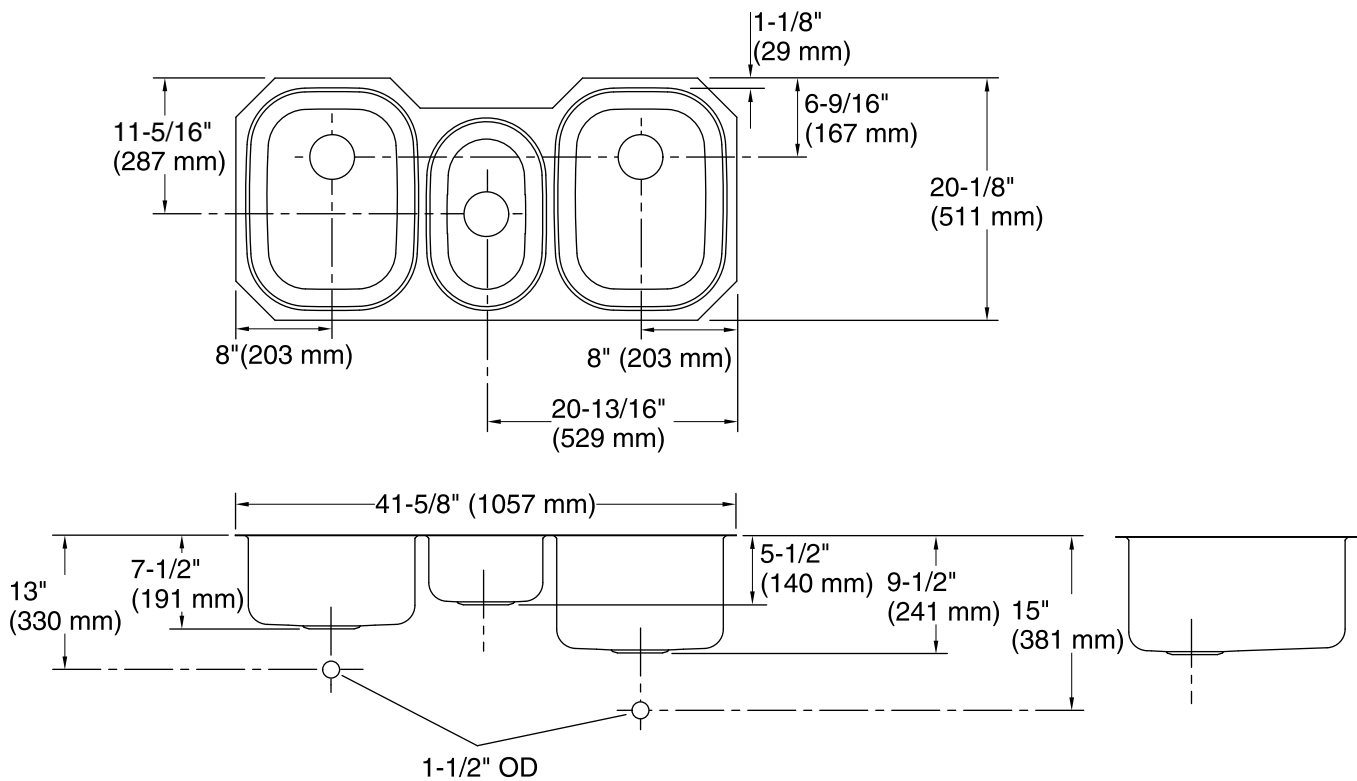


Codes/Standards

ASME A112.19.3/CSA B45.4

Lifetime Limited Warranty for KOHLER® Stainless Steel Sinks

See website for detailed warranty information.



Technical Information

All product dimensions are nominal.

Bowl configuration: Two equal bowls and center bowl

Installation: Under-mount

Min. base cabinet width: 45" (1143 mm)

Bowl area (Left): Length: 14" (356 mm)
Width: 18" (457 mm)
Bowl depth: 7-1/2" (191 mm)

Bowl area (Center): Length: 9" (229 mm)
Width: 15" (381 mm)
Bowl depth: 5-1/2" (140 mm)

Bowl area (Right): Length: 14" (356 mm)
Width: 18" (457 mm)
Bowl depth: 9-1/2" (241 mm)

Drain hole: 3-5/8" (92 mm)

Template: 1047579-7, required, included

Notes

Install this product according to the installation instructions.

Allow a minimum of 2" (51 mm) clearance around the sink rim for clip attachment.