



Antilia® Wading Pool®

Vessel bathroom sink

K-2369

Features

- Rectangular basin with slightly curved edges.
- Ample area allows for ease of use; creates a sense of grandeur in a bath or powder room.

Material

- Glass.

Installation

- No faucet holes; requires wall- or counter-mount faucet.
- Vessel.

Required Products/Accessories

K-7108 Decorative Drain

or

K-7107 Decorative Drain

Recommended Products/Accessories

K-23726 Drain treatment

K-23723 Faucet cleaner

Included Components

Additional Components:

Drain gasket kit
installation mat



ADA

Codes/Standards

CSA B45.11/IAPMO Z401

ADA

ICC/ANSI A117.1

KOHLER® One-Year Limited Warranty

See website for detailed warranty information.

Available Colors/Finishes

Color tiles intended for reference only.

| Color | Code | Description |
|-------|------|-------------|
|-------|------|-------------|



B11 Ice



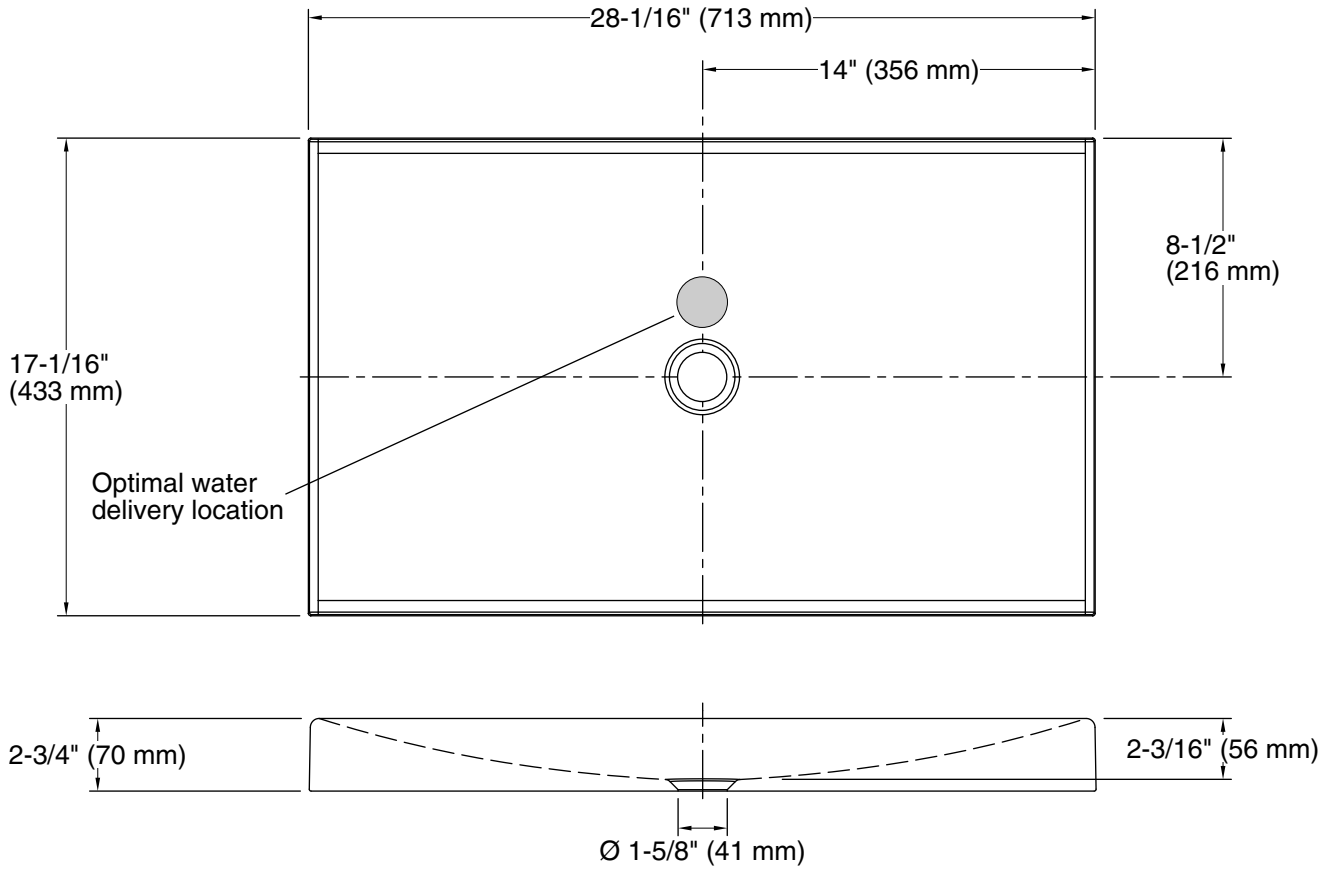
B10 Storm

1-800-4KOHLER (1-800-456-4537)

Kohler Co. reserves the right to make revisions without notice to product specifications.

For the most current Specification Sheet, go to www.kohler.com.

THE BOLD LOOK
OF **KOHLER**®



Technical Information

All product dimensions are nominal.

| | |
|---------------------|--|
| Bowl configuration: | Single |
| Installation: | Vessel |
| Bowl area (Only): | Length: 27-7/8" (708 mm) Width: 16-3/16" (411 mm) Water depth: 2-3/16" (56 mm) |
| Drain hole: | 1-5/8" (41 mm) |

Notes

Install this product according to the installation instructions.

Product does not have an overflow.

ADA compliant when installed to the specific requirements of these regulations.