

Features

- Elegant oval basin.
- Overflow drain.
- No faucet holes; requires wall- or counter-mount faucet.
- Fits standard 14- x 17-inch countertop cutout.
- Coordinates with other products in the Bancroft collection.

Material

- Vitreous china.

Installation

- Under-mount

Recommended Products/Accessories

K-8998 P-Trap

Included Components

Additional Components:

1193643 Basin Clamps



ADA

Codes/Standards

ASME A112.19.2/CSA B45.1

ADA





ICC/ANSI A117.1

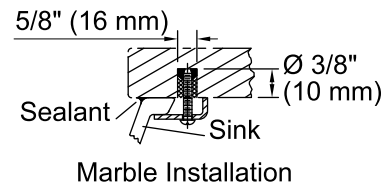
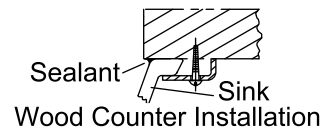
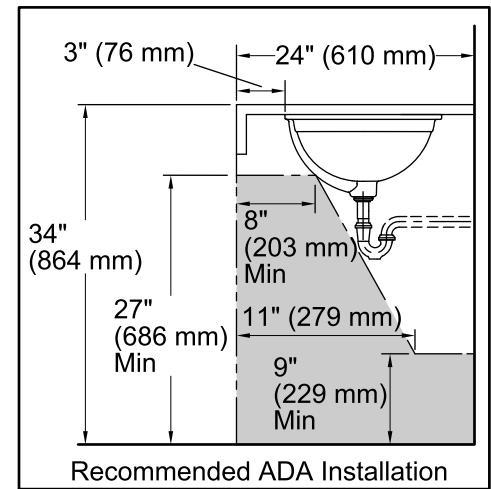
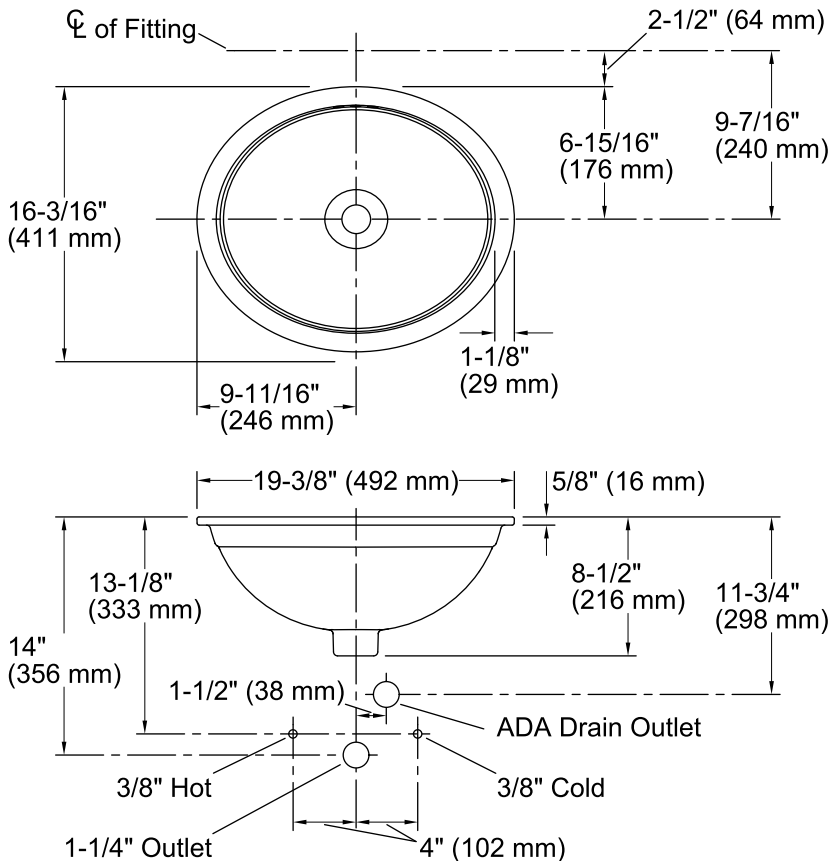
KOHLER® One-Year Limited Warranty

See website for detailed warranty information.

Available Colors/Finishes

Color tiles intended for reference only.

Color	Code	Description
	0	White
	96	Biscuit
	47	Almond
	33	Mexican Sand™



Technical Information

All product dimensions are nominal.

Bowl configuration: Single

Installation: Under-mount

Bowl area (Only): Length: 17-1/4" (438 mm)
Width: 14-1/16" (357 mm)
Water depth: 5" (127 mm)

Drain hole: 1-3/4" (44 mm)

Template: 1002975-7, required, not included

Notes

Install this product according to the installation instructions.

NOTICE: Countertop manufacturer or cutter must use the current product template available at www.kohler.com, or by calling 1-800-4KOHLER. Kohler Co. is not responsible for cutout errors when the incorrect cutout template is used.

ADA compliant when installed to the specific requirements of these regulations.