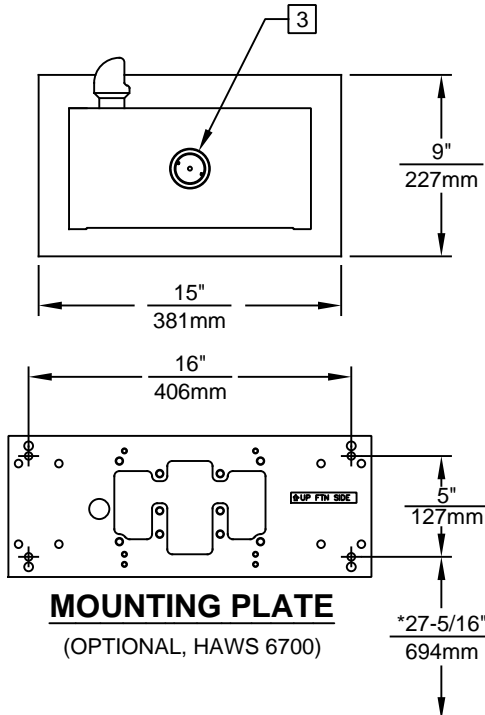
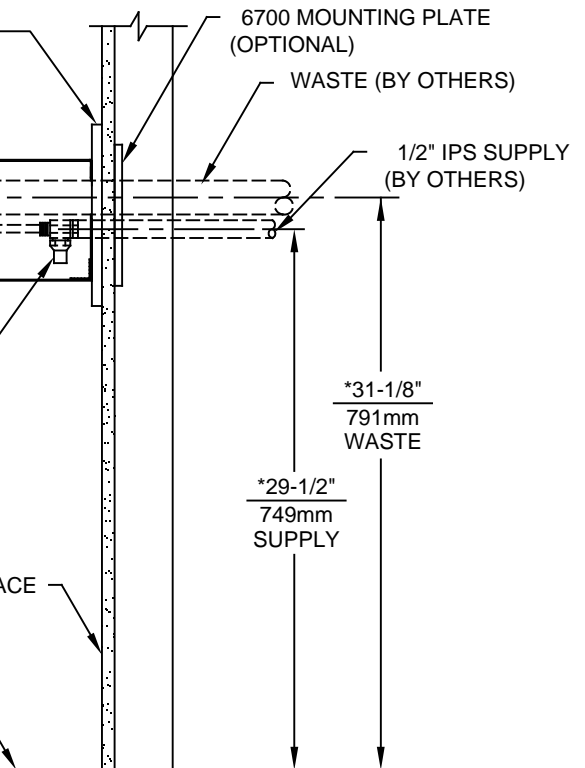


BACK PANEL OPTIONAL ON 1109  
 BACK PANEL STANDARD ON 1109BP



**NOTES:**

- HOLD ROUGH-IN DIMENSIONS ± 1/4" (6.4mm).
- WHEN INSTALLING THIS UNIT LOCAL, STATE OR FEDERAL CODES SHOULD BE ADHERED TO. FOR INSTALLATION HEIGHTS OTHER THAN SHOWN, DIMENSIONS MARKED (\*) MUST BE ADJUSTED ACCORDINGLY.

[3] REFER TO 5874 SERIES/VRK5874 OPERATION AND MAINTENANCE MANUAL FOR PUSH BUTTON AND VALVE INSTALLATION/MAINTENANCE INSTRUCTIONS.

		1455 KLEPPE LANE SPARKS, NEVADA 89431 (775) 359-4712 FAX (775) 359-7424 E-MAIL: HAWS@HAWSCO.COM WEBSITE: WWW.HAWSCO.COM	
ECN NO. REVISED PER BY:	ECN: 5124 VWC	MODEL(S)	1109/1109BP
DRAWN: F. VASQUEZ	DATE: 03/96	CHKD.: VWC	PART NUMBER: 0002076620.D
APPROVED: FV	DATE: 07/06/17	SCALE: NA	REVISION: 19
DRAWING TYPE: INSTALLATION		SIZE: A SHEET 1 OF 1	