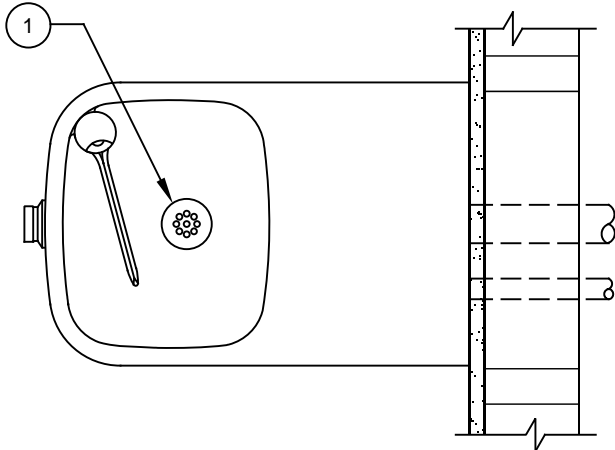


| ITEM | DESCRIPTION | 1109.14 |
|------|-------------------------------------|------------|
| 1 | STRAINER, WASTE ASSY | 6462 |
| 2 | BUTTON, PUSH, FLANGED, PCP W/ VALVE | 5874PBF |
| 3 | VALVE REPAIR KIT | VRK5874 |
| 4 | PUSH BUTTON ASSY, FLANGED, PCP | PBA6 |
| 5 | BUBBLER HEAD ASSY, PCP | 5703M |
| 6 | PLATE, BOTTOM | PBM1109 |
| 7 | TRAP | 0005982900 |
| * 8 | BACK PANEL | BP3 |
| * 9 | PLATE, MOUNTING | 6700 |

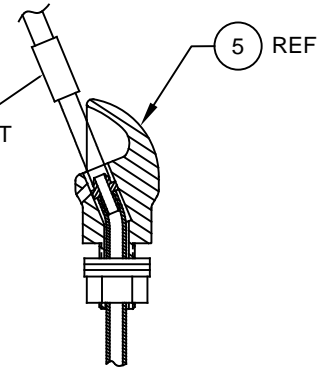
* DENOTES OPTIONAL PART.

NOTES:

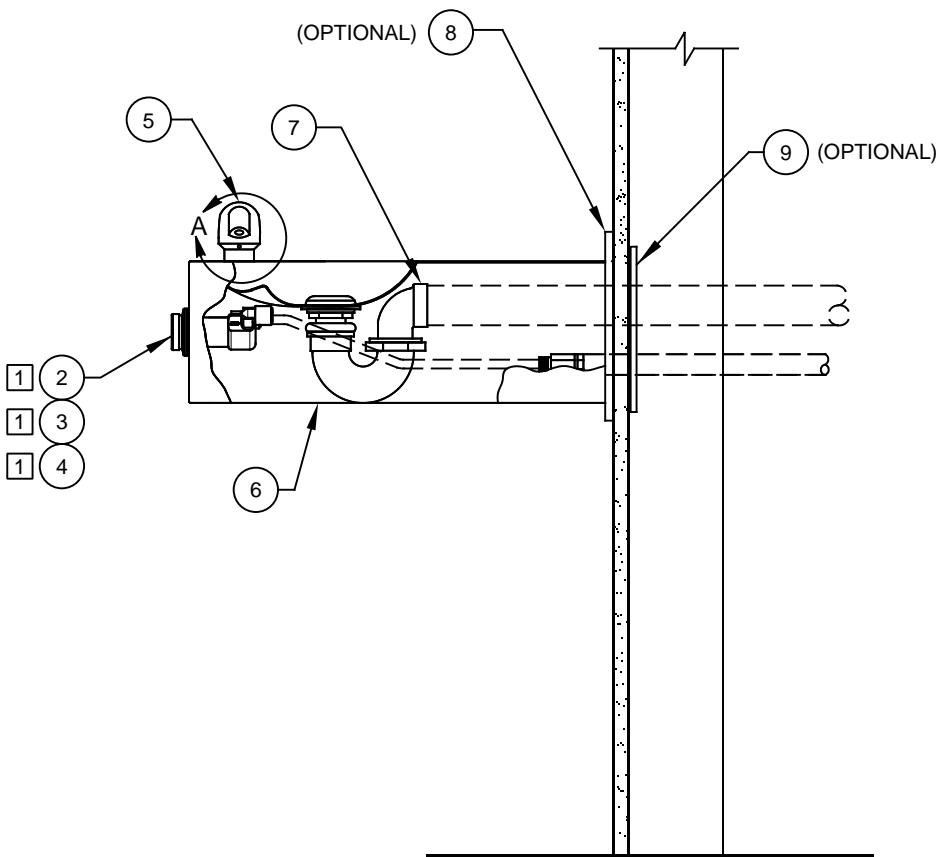
- 1 5874PBF (ITEM 2) INCLUDES VRK5874 CARTRIDGE ASSEMBLY (ITEM 3) AND PBA6 FLANGED PUSH BUTTON (ITEM 4).
- 2 ENSURE TUBE IS DISCONNECTED FROM PUSH BUTTON VALVE BODY PRIOR TO REMOVAL. APPLY ONE DROP OF LOCTITE 222MS TO NOZZLE THREADS PRIOR TO FASTENING BACK ONTO BUBBLER HEAD. RE-ATTACH TUBE TO VALVE.



2 REMOVE INSERT WITH 5/16 HEX SOCKET (NOT SUPPLIED)



DETAIL A
ROTATED 90° INTO VIEW



PARTS BREAKDOWN

WHEN ORDERING PARTS PLEASE SPECIFY MODEL NUMBER.

| | | | | | | |
|---------------------|------------------|--------------------------|-------------------------------|---|-------------------------|---------------------------|
| | | Haws [®] | | 1455 KLEPPE LANE SPARKS, NEVADA 89431 (775) 359-4712 FAX (775) 359-7424 E-MAIL: HAWS@HAWSCO.COM WEBSITE: WWW.HAWSCO.COM | | |
| | | | | ECN NO. REVISED PER BY ECN: 5124 VWC | MODEL(S) 1109.14 | PART NUMBER 0002076625 |
| DRAWN F. VASQUEZ | DATE 04/23/98 | CHKD VWC | REVISION 15 | | | |
| APPROVED FV | DATE 07/06/17 | SCALE: NA | DRAWING TYPE: PARTS BREAKDOWN | SIZE: A | SHEET 1 OF 1 | |