

For Residential and Commercial Applications

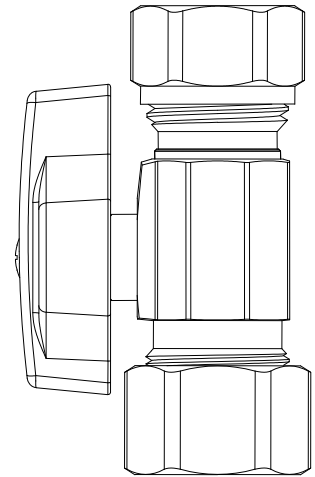
Job Name		Engineer / Architect	
Job Location		Wholesaler	
Submittal Date		Contractor	

KT3345 1/4 Turn Straight Ball Stop – Compression x Slip-Joint

Use: For use in potable water distribution systems.

Design Features:

- **Precision-machined brass ball** is specially engineered and mated with PTFE seats to provide smooth operation without freeze ups even after long periods of non-use
- **TWO high-performance o-rings** withstand high temperatures and corrosion from harsh water environments
- **Machined one-piece brass body** provides strength, durability and long-lasting performance
- **Blow-out proof brass stem** is assembled from the inside out with two o-rings to ensure safe, reliable performance
- **Plated stem** provides corrosion resistance and prevents o-ring damage after long periods of non-use
- **Patented, chrome plated metal handle** is designed for durability, corrosion resistance & a sleek appearance
- **Easy-to-remove handle** with screw attachment protects accidental stop operation during rough-ins
- **100% leak tested**
- **Compliant KT Stops** available for California and Vermont “low-lead” requirements



Operating Specifications:

Temperature: 40°- 180° F
Pressure: 125 psi maximum

Standard

MATERIAL SPECIFICATIONS	
Valve Body	C36000 brass
Stem	DZR brass, plated
Seats	PTFE
Ball	C36000 brass, precision machined
Stem O-rings	Viton* & Nitrile
Handle	Zinc die cast
Handle Screw	Zinc-plated steel
Slip-Joint Washer	NBR rubber
Friction Rings	C27200 brass
Compression Ring	C36000 brass
Nuts	C36000 brass

Compliant

MATERIAL SPECIFICATIONS	
Valve Body	Compliant brass
Stem	Compliant brass, plated
Seats	PTFE
Ball	Compliant brass, precision machined
Stem O-ring	Viton* & Nitrile
Handle	Zinc die cast
Handle Screw	Zinc-plated steel
Slip-Joint Washer	NBR rubber
Friction Rings	C27200 brass
Compression Ring	C36000 brass
Nuts	C36000 brass

*Viton is a registered trademark of DuPont Dow Elastomers, L.L.C.

This specification and all information contained herein is the confidential and exclusive property of BrassCraft Manufacturing, and shall not be disclosed to others without the written consent of BrassCraft. This specification must be returned to BrassCraft if requested.



KT3345 1/4 Turn Straight Ball Stop – Compression x Slip-Joint

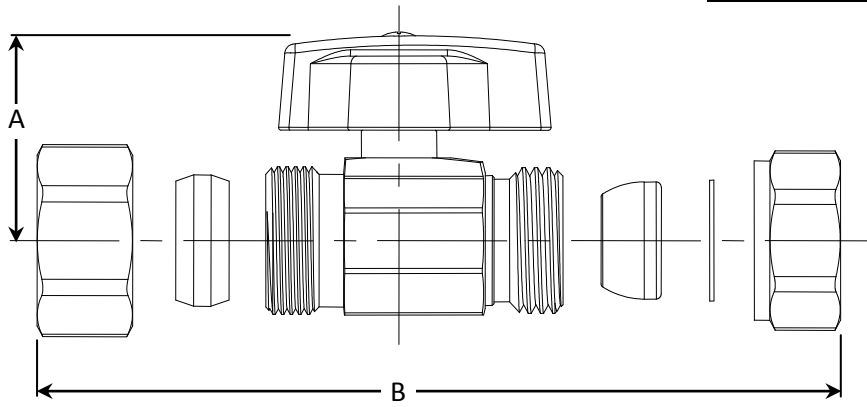
Standard Part Listing:

- KT3345 C 1/2" Nom. Compression x 7/16" & 1/2" Slip-Joint, chrome plated
- KT3345 C1 1/2" Nom. Compression x 7/16" & 1/2" Slip-Joint, chrome plated, window tray

Compliant Part Listing:

- KT3345X C 1/2" Nom. Compression x 7/16" & 1/2" Slip-Joint, chrome plated

PART DIMENSIONS (Inches)		
Model	DIM. A	DIM. B
KT3345	1.14	2.47



Listings & Certifications:

- IAPMO listed to ASME A112.18.1-05 / CSA B125.1-05 (File # 0645)
- CSA listed to ASME A112.18.1-05 / CSA B125.1-05 (File # 204593)
- Compliant product CSA approved to California Health & Safety Code 116875 and Vermont Bill S.152 (Project # 2174785)



This specification and all information contained herein is the confidential and exclusive property of BrassCraft Manufacturing, and shall not be disclosed to others without the written consent of BrassCraft. This specification must be returned to BrassCraft if requested.

BrassCraft®